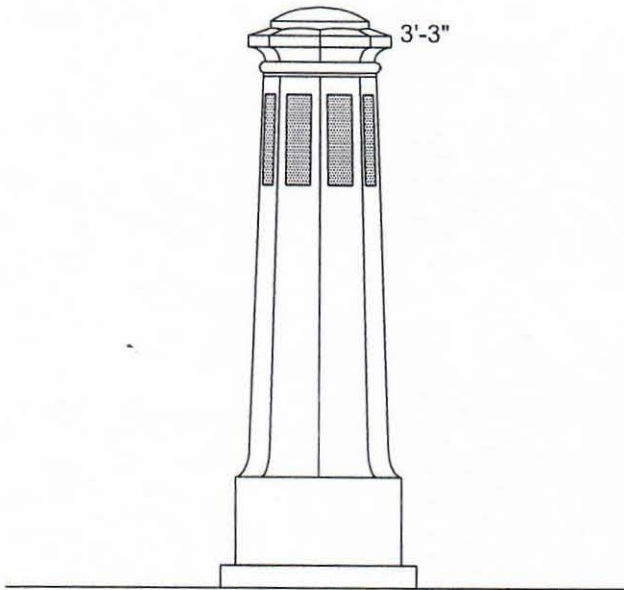


# NAUTICAL Series

## Cast Iron Lighted Bollard



BOL/NA39/13/L-CI

**DESCRIPTION** The bollard shall be cast iron construction with a octagonal and circular shape. The bollard shall be provided with a cast aluminum top and an optical assembly including eight rectangular lenses mounted inside.

**MATERIALS** The bollard material shall be ASTM-A48 Class 30 cast iron. The top shall be heavy wall cast aluminum (356.1 ingot alloy). The castings shall be formed true to the pattern with complete detail. The lenses shall be clear, textured acrylic. All exposed hardware shall be tamper resistant stainless steel. Anchor bolts to be completely hot dip galvanized.

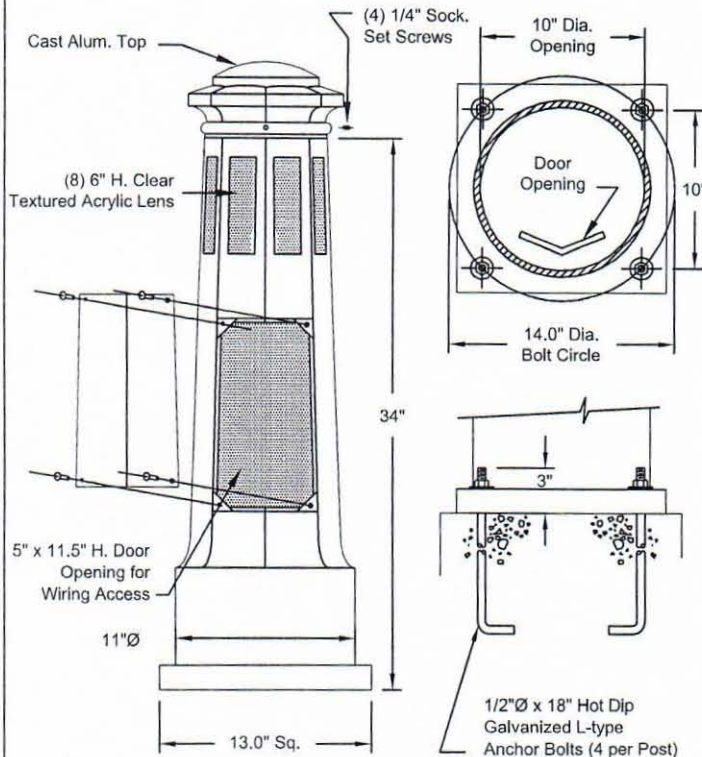
**CONSTRUCTION** The bollard shall be made from a one-piece casting. The top shall be attached to the bollard with four tamper resistant set screws.

**DIMENSIONS** The bollard shall be 3'- 3" in height with a 13" square base, and eight, 6" high rectangular lenses.

**INSTALLATION** The bollard shall be provided with four 1/2" diameter by 18" long, hot dipped galvanized, L-type anchor bolts to be installed on a 14" diameter bolt circle. A door shall be provided in the base for access to wiring. The bollard top shall be removable for optical assembly access.

- White Lens
- LED
- 4000 Series CCT
- Auto-Sensing Voltage (120-277V)
- Dimming Driver
- Field Adjustable Output
- Hologhane Black finish

**NOTES:**  
THIS PRODUCT HAS NEVER BEEN DEVELOPED AS AN LED. THERE WILL NEED TO BE EXTENSIVE ENGINEERING DESIGN, TESTING AND CERTIFICATIONS PRIOR TO PRODUCTION.



**Catalog #'s:**  
Bollard: BOLNA3913LWCIBKH-LED4KAS-AO RFD208761  
Anchor Bolts: AB-31-4

**Customer Signature**

**Date**



## City of Zanesville, Canal Bollards

Zanesville, OH

ORDER #: 2009-16-12021-0	TYPE:	DRAWING #:
REVISION:	REVISION DATE:	TSG 009881
DRAWN: MAB	ORIGIN DATE: 10/31/16	PAGE: 1 of 1

THIS DRAWING, WHEN APPROVED, SHALL BECOME THE COMPLETE SPECIFICATION FOR THE MATERIAL TO BE FURNISHED BY HOLOPHANE ON THE ORDER NOTED ABOVE. A UNIT OF SIMILAR DESIGN MAY BE SUPPLIED, BUT ONLY AFTER APPROVAL BY THE CUSTOMER IN WRITING. ON POLE ORDERS AN ANCHOR BOLT TEMPLATE PRINT WILL BE SUPPLIED WITH EACH ANCHOR BOLT ORDER TO MATCH THE POLE PROVIDED. THIS PRINT IS THE PROPERTY OF HOLOPHANE AND IS LOANED SUBJECT TO RETURN UPON DEMAND AND UPON EXPRESS CONDITION THAT IT WILL NOT BE USED DIRECTLY OR INDIRECTLY IN ANY WAY DETRIMENTAL TO OUR INTERESTS, AND ONLY IN CONNECTION WITH MATERIAL FURNISHED BY HOLOPHANE.