

Attachment to Ordinance No. 19-49

Prepared for:
 Bill Rosser
 OH City of Zanesville
 1084 Central Ave
 Zanesville, OH 43701
 Phone: 740-819-8937

Prepared by:
 Dustin Schwartzberger
 FYDA FREIGHTLINER
 WESTERN STAR ZANESVILLE
 5005 EAST PIKE
 ZANESVILLE, OH 43701
 Phone:

Data Code	Description	Weight Front	Weight Rear
742-032	(1) DOUBLE CUP HOLDER WITH CELL PHONE HOLDER LH OR RH DASH		
680-034	TWO-TONE CHARCOAL UPPER/COOL GRAY LOWER SOFT TOUCH WING DASH WITH BLACK DRIVER SIDE COSMETIC UNDER DASH COVER		
700-023	HEATER, DEFROSTER AND AIR CONDITIONER WITH CONSTANT TEMPERATURE CONTROL AND COSMETIC COVER		
701-016	HVAC DUCTING WITH FOAM MAIN FRESH AIR FILTER		
703-005	MAIN HVAC CONTROLS WITH RECIRCULATION SWITCH		
170-015	STANDARD HEATER PLUMBING		
130-041	VALEO HEAVY DUTY A/C REFRIGERANT COMPRESSOR		
698-001	RADIATOR MOUNTED AIR CONDITIONER CONDENSER		
702-002	BINARY CONTROL, R-134A		
739-001	CAB INSULATION		
285-019	AUTOMATIC SELF-RESET CIRCUIT BREAKER IN MAIN DASH POWER DISTRIBUTION BOX AND CIRCUIT BREAKER/FUSE IN AUXILIARY POWER DISTRIBUTION BOXES		
324-075	DOOR ACTIVATED DOME LIGHT, UNDER DASH LIGHT AND LH AND RH DOOR MOUNTED COURTESY LIGHTS		
655-001	CAB DOOR LATCHES WITH MANUAL DOOR LOCKS		
756-1DD	BASIC HIGH BACK AIR SUSPENSION DRIVER SEAT WITH 1 CHAMBER AIR LUMBAR, INTEGRATED CUSHION EXTENSION AND REAR CUSHION TILT		
760-294	BATTERY BOX MID BACK NON SUSPENSION PASSENGER SEAT		
759-007	DUAL DRIVER SEAT ARMRESTS, NO PASSENGER SEAT ARMRESTS	4	
758-039	MORDURA CLOTH DRIVER SEAT		
761-039	MORDURA CLOTH PASSENGER SEAT		
763-003	3 POINT DRIVER AND PASSENGER SEAT BELT RETRACTORS		
532-002	ADJUSTABLE TILT AND TELESCOPING STEERING COLUMN		
540-020	2-SPOKE 18 INCH (450MM) BLACK STEERING WHEEL(S)		



Attachment to Ordinance No. 19-49

Prepared for:
 Bill Rosser
 OH City of Zanesville
 1084 Central Ave
 Zanesville, OH 43701
 Phone: 740-819-8937

Prepared by:
 Dustin Schwartzenberger
 FYDA FREIGHTLINER
 WESTERN STAR ZANESVILLE
 5005 EAST PIKE
 ZANESVILLE, OH 43701
 Phone:

Data Code	Description	Weight Front	Weight Rear
765-002	DRIVER AND PASSENGER INTERIOR SUN VISORS		
Instruments & Controls			
185-002	NON-ADJUSTABLE SUSPENDED PEDALS		
106-002	ELECTRONIC FOOT ACCELERATOR		
870-005	STAR GAUGES WITH BRIGHT BEZELS		
732-018	ROYAL ROSEWOOD MATTE FINISH DRIVER INSTRUMENT PANEL		
734-017	ROSEWOOD VINYL MATTE FINISH CENTER INSTRUMENT PANEL INSERT		
486-001	LOW AIR PRESSURE INDICATOR LIGHT AND AUDIBLE ALARM		
840-002	2 INCH PRIMARY AND SECONDARY AIR PRESSURE GAUGES		
198-002	INTAKE MOUNTED AIR RESTRICTION INDICATOR WITH GRADUATIONS		
721-021	87 DB TO 112 DB SELF-ADJUSTING BACKUP ALARM		3
149-012	CRUISE CONTROL SWITCHES IN THE CENTER PANEL		
156-007	KEY OPERATED IGNITION SWITCH AND INTEGRAL START POSITION; 4 POSITION OFF/RUN/START/ACCESSORY		
811-001	WARNING LAMP/LIGHT BAR DISPLAY, NON-DATA LINKED		
160-038	HEAVY DUTY ONBOARD DIAGNOSTICS INTERFACE CONNECTOR LOCATED BELOW LH DASH		
844-001	2 INCH ELECTRIC FUEL GAUGE		
148-003	PROGRAMMABLE RPM CONTROL - ELECTRONIC ENGINE		
4C0-998	NO ADDITIONAL EXTRA SWITCH ACCUATORS		
44Y-998	NO CUSTOMER INTERFACE CONNECTOR		
48F-998	NO PREWIRED HIGH POWER CIRCUIT		
856-001	ELECTRICAL ENGINE COOLANT TEMPERATURE GAUGE		
864-001	2 INCH TRANSMISSION OIL TEMPERATURE GAUGE		
867-017	OUTSIDE AIR TEMPERATURE GAUGE WITH FAHRENHEIT AND CELSIUS DISPLAY MOUNTED IN DASH		
372-051	CUSTOMER FURNISHED AND INSTALLED PTO CONTROLS		



Attachment to Ordinance No. 19-49

Prepared for:
 Bill Rosser
 OH City of Zanesville
 1084 Central Ave
 Zanesville, OH 43701
 Phone: 740-819-8937

Prepared by:
 Dustin Schwartzenberger
 FYDA FREIGHTLINER
 WESTERN STAR ZANESVILLE
 5005 EAST PIKE
 ZANESVILLE, OH 43701
 Phone:

Data Code	Description	Weight Front	Weight Rear
852-002	ELECTRIC ENGINE OIL PRESSURE GAUGE		
746-115	AM/FM/WB WORLD TUNER RADIO WITH BLUETOOTH AND USB AND AUXILIARY INPUTS, J1939	10	
747-002	ROOF/OVERHEAD CONSOLE MOUNTED RADIO		
750-004	(4) RADIO SPEAKERS IN CAB		
753-021	AM/FM ANTENNA MOUNTED ON LH FRONT A-PILLAR	2	
748-026	POWER AND GROUND WIRING FOR CB RADIO IN OVERHEAD CONSOLE		
752-017	MULTI-BAND AM/FM/WB/CB LH MIRROR MOUNTED ANTENNA SYSTEM		
810-042	ELECTRONIC MPH SPEEDOMETER WITH SECONDARY KPH SCALE, WITH ODOMETER		
817-008	STANDARD VEHICLE SPEED SENSOR WITH ADDITIONAL SIGNAL FOR CUSTOMER USE LOCATED BETWEEN DRIVER AND PASSENGER SEATS		
812-001	ELECTRONIC 3000 RPM TACHOMETER		
813-998	NO VEHICLE PERFORMANCE MONITOR	-5	
162-002	IGNITION SWITCH CONTROLLED ENGINE STOP		
329-072	SIX IGNITION CONTROLLED EXTRA SWITCHES WITH INDICATOR LIGHT, 20 AMPS, WIRED BEHIND PASSENGER SEAT		
4C1-998	NO HARDWIRE SWITCH #1		
4C2-998	NO HARDWIRE SWITCH #2		
4C3-998	NO HARDWIRE SWITCH #3		
4C4-998	NO HARDWIRE SWITCH #4		
4C5-998	NO HARDWIRE SWITCH #5, ON/OFF LATCHING, WIRED TO CUSTOMER INTERFACE CONNECTOR		
4C6-998	NO HARDWIRE SWITCH #6, ON/OFF LATCHING, WIRED TO CUSTOMER INTERFACE CONNECTOR		
4C7-998	NO HARDWIRE SWITCH #7, ON/OFF LATCHING, WIRED TO CUSTOMER INTERFACE CONNECTOR		
4C8-998	NO HARDWIRE SWITCH #8, ON/OFF LATCHING, WIRED TO CUSTOMER INTERFACE CONNECTOR		
4C9-998	NO HARDWIRE SWITCH #9, ON/OFF LATCHING, WIRED TO CUSTOMER INTERFACE CONNECTOR		



Attachment to Ordinance No. 19-49

Prepared for:
 Bill Rosser
 OH City of Zanesville
 1084 Central Ave
 Zanesville, OH 43701
 Phone: 740-819-8937

Prepared by:
 Dustin Schwartzberger
 FYDA FREIGHTLINER
 WESTERN STAR ZANESVILLE
 5005 EAST PIKE
 ZANESVILLE, OH 43701
 Phone:

Data Code	Description	Weight Front	Weight Rear
4D0-998	NO HARDWIRE SWITCH #10,ON/OFF LATCHING,WIRED TO CUSTOMER INTERFACE CONNECTOR		
836-001	2 INCH VOLTMETER		
660-008	SINGLE ELECTRIC WINDSHIELD WIPER MOTOR WITH DELAY		
304-019	CAB MARKER LIGHT AND HEADLIGHT SWITCH WITH SEPARATE SWITCH AND TERMINALS FOR CUSTOMER FURNISHED SNOW PLOW LIGHTS		
882-018	ONE VALVE PARKING BRAKE SYSTEM WITH DASH VALVE CONTROL AUTONEUTRAL AND WARNING INDICATOR		
299-032	VSM NON CANCELING TURN SIGNAL SWITCH WITH INTEGRAL HEADLAMP DIMMER WITHOUT BRAKE OVERRIDE		
298-036	PACIFIC INSIGHT ELECTRONIC FLASHER		

Design

065-000 PAINT: ONE SOLID COLOR

Color

980-5F6 CAB COLOR A: L0006EB WHITE ELITE BC
 96J-001 CAB INTERIOR PAINTED SAME AS CAB COLOR
 986-020 BLACK, HIGH SOLIDS POLYURETHANE CHASSIS PAINT
 964-993 BUMPER PAINTED SAME AS CHASSIS

Certification / Compliance

996-001 U.S. FMVSS CERTIFICATION, EXCEPT SALES CABS AND GLIDER KITS

Secondary Factory Options

999-014 DEALER HAS BEEN ADVISED OF AND ACCEPTED RESPONSIBILITY FOR MODIFICATIONS DUE TO POSSIBLE PTO/CHASSIS INTERFERENCE

Raw Performance Data

AE4-99D CALC'D FRAME LENGTH - OVERALL : 262.55
 AE8-99D CALCULATED EFFECTIVE BACK OF CAB TO REAR SUSPENSION C/L (CA) : 87.23 in
 AM6-99D CALC'D SPACE AVAILABLE FOR DECKPLATE : 90.69 in

TOTAL VEHICLE SUMMARY



Prepared for:
 Bill Rosser
 OH City of Zanesville
 1084 Central Ave
 Zanesville, OH 43701
 Phone: 740-819-8937

Prepared by:
 Dustin Schwartzberger
 FYDA FREIGHTLINER
 WESTERN STAR ZANESVILLE
 5005 EAST PIKE
 ZANESVILLE, OH 43701
 Phone:

Weight Summary

	Weight Front	Weight Rear	Total Weight
Factory Weight ⁺	8279 lbs	4106 lbs	12385 lbs
Total Weight⁺	8279 lbs	4106 lbs	12385 lbs

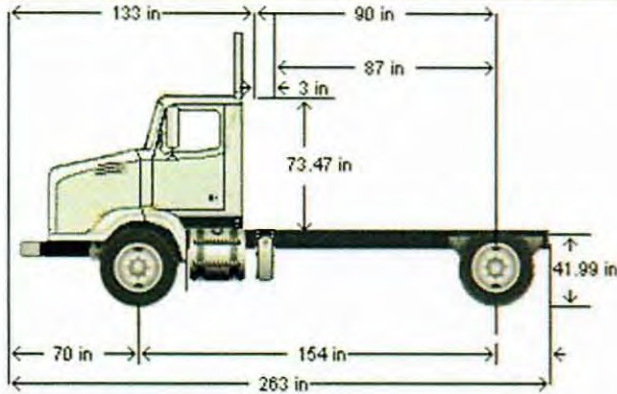
(+) Weights shown are estimates only.
 If weight is critical, contact Customer Application Engineering.



Prepared for:
 Bill Rosser
 OH City of Zanesville
 1084 Central Ave
 Zanesville, OH 43701
 Phone: 740-819-8937

Prepared by:
 Dustin Schwartzberger
 FYDA FREIGHTLINER
 WESTERN STAR ZANESVILLE
 5005 EAST PIKE
 ZANESVILLE, OH 43701
 Phone:

DIMENSIONS



VEHICLE SPECIFICATIONS SUMMARY - DIMENSIONS

Model.....	4700SB
Wheelbase (545)	3900MM (154 INCH) WHEELBASE
Rear Frame Overhang (552).....	1000MM (39 INCH) REAR FRAME OVERHANG
Fifth Wheel (578)	NO FIFTH WHEEL
Mounting Location (577).....	NO FIFTH WHEEL LOCATION
Maximum Forward Position (in).....	0
Maximum Rearward Position (in)	0
Amount of Slide Travel (in).....	0
Slide Increment (in).....	0
Desired Slide Position (in).....	0.0
Cab Size (829).....	110 INCH BBC STEEL CONVENTIONAL CAB
Sleeper (682).....	NO SLEEPER BOX/SLEEPER CAB
Exhaust System (016).....	RH OUTBOARD UNDER STEP MOUNTED HORIZONTAL AFTERTREATMENT SYSTEM ASSEMBLY WITH RH B-PILLAR MOUNTED VERTICAL TAILPIPE

TABLE SUMMARY - DIMENSIONS



Attachment to Ordinance No. 19-49

Prepared for:
 Bill Rosser
 OH City of Zanesville
 1084 Central Ave
 Zanesville, OH 43701
 Phone: 740-819-8937

Prepared by:
 Dustin Schwartzberger
 FYDA FREIGHTLINER
 WESTERN STAR ZANESVILLE
 5005 EAST PIKE
 ZANESVILLE, OH 43701
 Phone:

Dimensions	Inches
Bumper to Back of Cab (BBC)	133.2
Bumper to Centerline of Front Axle (BA)	69.9
Min. Cab to Body Clearance (CB)	3.0
Back of Cab to Centerline of Rear Axle(s) (CA)	90.2
Effective Back of Cab to Centerline of Rear Axle(s) (Effective CA)	87.2
Back of Cab Protrusions (Exhaust/Intake) (CP)	3.0
Back of Cab Protrusions (Side Extenders/Trim Tab) (CP)	0.0
Back of Cab Protrusions (CNG Tank)	0.0
Back of Cab Clearance (CL)	3.0
Back of Cab to End of Frame	129.6
Cab Height (CH)	73.5
Wheelbase (WB)	153.5
Frame Overhang (OH)	0.0
Overall Length (OAL)	262.9
Rear Axle Spacing	0.0
Unladen Frame Height at Centerline of Rear Axle	42.0

Performance calculations are estimates only. If performance calculations are critical, please contact Customer Application Engineering.

